

SEWER EQUIPMENT CO. of AMERICA

SEWER EQUIPMENT
CO. of AMERICA



EASEMENT MACHINES

BEST PRODUCTS, BEST LOCAL SUPPORT



JAJ-600 Series

Are certain sewer pipes in your community neglected due to hard to reach manholes? Do your maintenance crews have to manually drag hoses across easements or do they cause damage to yards, golf courses or environmentally-sensitive areas when trying to get their trucks close enough to service these remote

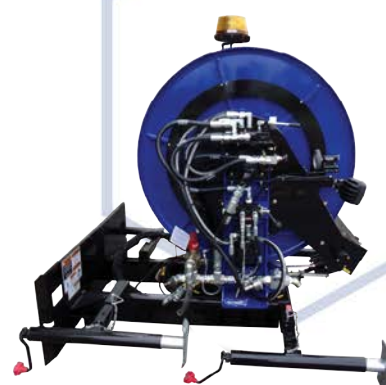
lines? If this is the case, a Sewer Equipment Company of America easement machine would be an invaluable asset to your fleet. Offered in two configurations, the JAJ-600WH (extendable track) and JAJ-600SK (skid mounted) units extend the reach of your sewer jetting truck or trailer by 500 feet or more and reduce sewer overflows by easing maintenance tasks.



The JAJ-600WH is driven by a Honda V-twin engine on a hydro-statically powered tread drive platform. This simple design eliminates drive chains and sprockets, and provides clean and quiet operation. Obstacles that leave wheel drive units spinning, such as small logs, rocks, creeks, hills, curbs, stairs, sand, mud, and snow, are all easily traversed by the JAJ's tread drive system while pulling your jet hose to the manhole. While offering tremendous traction, rubber tracks distribute weight evenly and limit ground pressure to only four pounds per square inch; the same standard applied to golf course maintenance equipment.

Standard features for the tread drive unit includes skid steering with dual joystick controls, safety pressure relief valve, 180° rotating safety reel and a 5GPM/10GPM hydraulic tool circuit for powering bypass pumps and hydraulic saws. Available options include automatic level wind with hydraulic up/down action, safety lights, work lights, tandem transport trailer, and more.

The JAJ-600WH has the ability to fit through standard 36" gates while offering superior lateral stability off road with tracks that hydraulically extend from 34" to 46" in seconds.



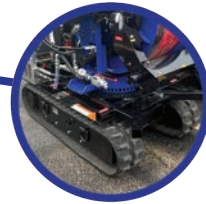
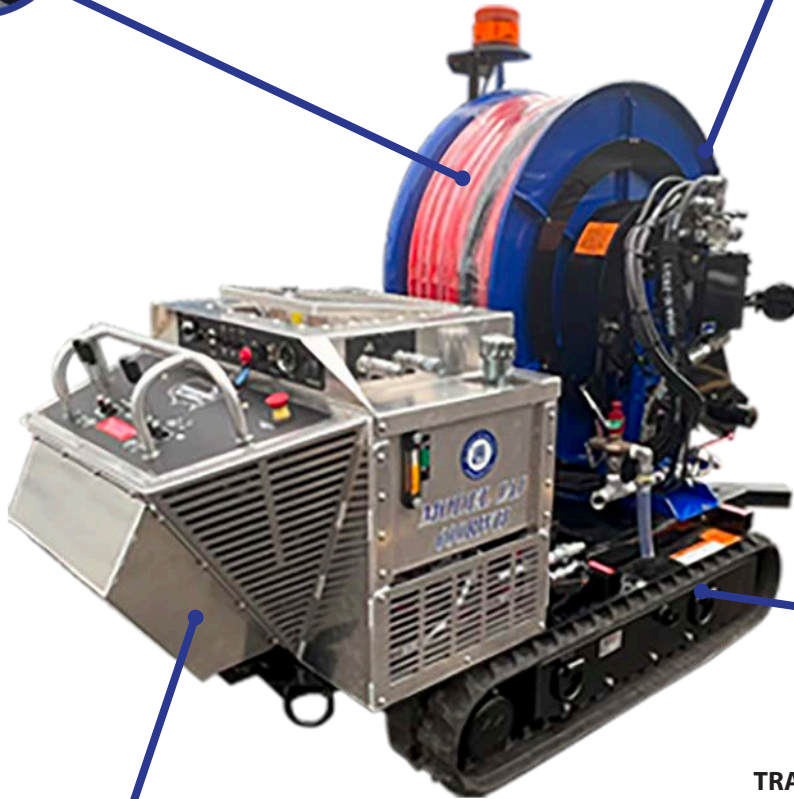
TOLL FREE 800.323.1604

EASEMENT MACHINES

ROTATING HOSE REEL: For safety and ease of use, our reel rotates 180° and can lock every two inches allowing operators to position the machine directly facing the manhole. This is important because although the Work Horse is extremely maneuverable, there may be applications and environments where it is more difficult to position directly over the manhole. It also reduces the need for turning on wet ground.



AUTOMATIC LEVEL WIND: This unique option allows for “hands free” winding of the sewer hose on the hose reel without the operator touching the sewer hose. This option will incorporate a drive system, which scrolls a pivoting four roller head back and forth across the hose reel for proper winding of sewer hose onto reel. The system is equipped with a hydraulic-controlled elevation system, which incorporates dual cylinders and a pivot arm to raise and lower the level wind guide depending on the location of the manhole. Level Wind raises and lowers a minimum of 45 degrees.



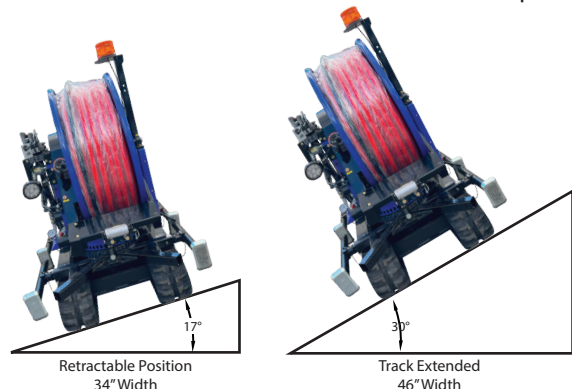
TRACK DRIVE SYSTEM APPROACH: All of our units utilize the “caterpillar type” independently suspended track system exclusively. Wheels with rubber tracks over the top may look similar but are anything but similar in practice. This system allows for superior weight distribution and thus minimal damage to the turf you are operating on. In addition, we also offer a system in which these tracks expand outward in order to give you a more stable stance on all terrains while allowing for entrance into the narrowest of access points.

ALUMINUM CONSTRUCTIONS: Excessive weight is the enemy of all equipment. We go to great pains to make our easement machines as light as possible in order to offer some of the lowest ground pressure ratings in the industry. Whether it is our Workhorse or Skid model, no other manufacturer in the market offers the combination of stability and light weight.

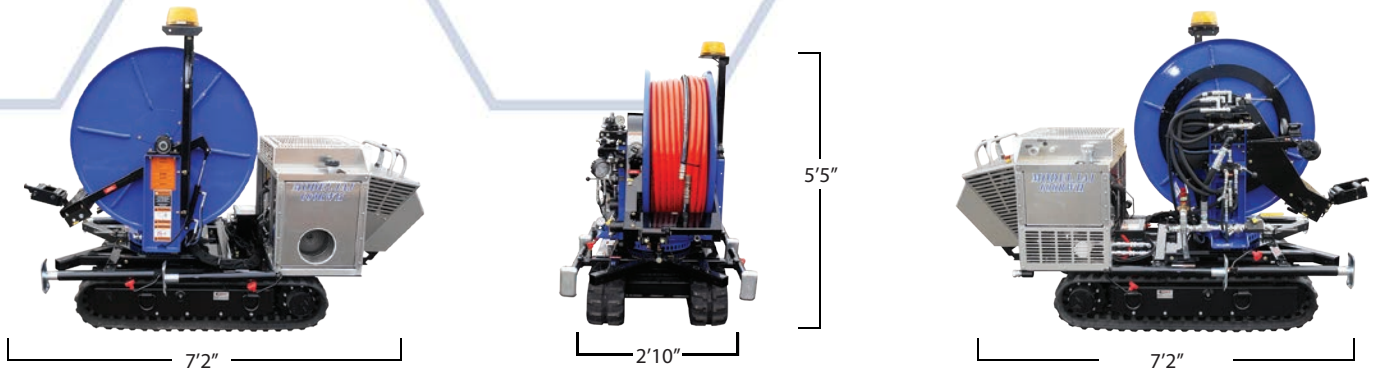


Extendable Track System

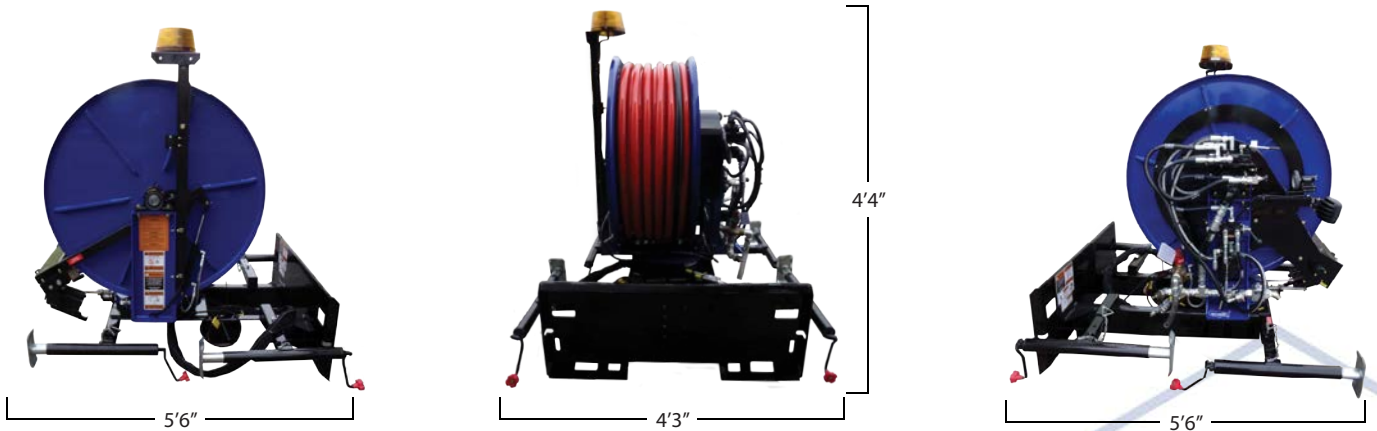
The best part of the Work Horse track system is that it is extendable. The 9 inch wide tracks extend hydraulically from 34 inches to 46 inches and can be set at any distance in between. This allows the work horse to travel through a 36 inch gate - then extend the tracks out so stability is increased as it travels over inclines. When the tracks are extended to 46 inches, the Work Horse improves its approximate angle of balance from 17° to 30°.



BEST PRODUCTS, BEST LOCAL SUPPORT



| MODEL | LENGTH | WIDTH | HEIGHT | MIN HP | HYDRAULIC REQUIREMENT | MAX HOSE CAPACITY | TRACK WEIGHT DISTRIBUTION |
|------------------|--------|-------|--------|--------|-----------------------|-------------------|---------------------------|
| JAJ-600WH | 7'2" | 2'10" | 5'5" | 24hp | 10gpm @ 2000psi | 1" x 600' | 3.4 PER sq in |



| MODEL | LENGTH | WIDTH | HEIGHT | MOUNTING STANDARD | HYDRAULIC REQUIREMENT | MAX HOSE CAPACITY |
|------------------|--------|-------|--------|-------------------|-----------------------|-------------------|
| JAJ-600SK | 5'6" | 4'3" | 4'4" | SAE-J2S13 | 10gpm @ 2000psi | 1" x 600' |

TOLL FREE 800.323.1604

EASEMENT MACHINES

JAJ-600WH

JAJ-600SK

| Power System | | |
|--|----------|----------|
| Gas powered, Hydraulically Driven | S | |
| Dual Independent Extendable Tracks | S | |
| Skid Style Steering | S | |
| Dual Hydraulic Tool Circuit 5 or 10 GPM | S | |
| Universal Mounts to Skid Steer | | S |
| Includes - Aux. Hydraulics circuit with 10 GPM @ 2,500 PSI | S | |
| Requires - Aux. Hydraulics circuit with minimum 10 GPM @ 2,500 PSI | | S |
| Hose Reel | | |
| Rotating Safety Hose Reel | S | S |
| 600' x 1" Sewer Hose Capacity or 1000' x 3/4" Sewer Hose Capacity | S | S |
| Pressure Relief Valve | S | S |
| Hose Reel Variable Speed Control | S | S |
| Automatic Level Wind (Limit hose to 500' of 1" or 700' of 3/4") | O | O |
| Digital Smart Counter (Footage Counter) | O | O |
| Mechanical Footage Meter (On Jet Hose Reel) | O | O |
| Mechanical Footage Meter (On Manual Level Wind) | O | O |
| Sewer Hose 1" 2,500 PSI | O | O |
| Sewer Hose 1" 3,000 PSI | O | O |
| Sewer Hose 3/4" 2,500 PSI | O | O |
| Sewer Hose 3/4" 3,000 PSI | O | O |
| Accumulator (for single piston pumps) | O | O |
| Pinch Roller | O | O |
| Outriggers (four) | O | O |
| Lighting | | |
| LED Floodlight | O | |
| LED Rotating Beacon | O | |
| LED Strobe Light | O | |
| 12 Volt Power Outlet | O | |
| Handheld Wireless Spotlight | O | O |
| Features | | |
| 10' Leader Hose | S | S |
| 25' x 1" Leader Hose | O | O |
| 25' x 3/4" Leader Hose | O | O |
| Hydraulic Pressure Gauge | S | S |
| Water Pressure Gauge | S | S |
| Hour Meter | S | |
| Paper Operator Manual | S | S |
| USB Operator Manual | O | O |
| Patriot Root Cutter Kit | O | O |
| Transport Trailer | | |
| 8' x 12' Tandem Axle 7,000lbs GVWR | O | |
| Hydraulic Surge Brakes | O | |
| Aluminum Toolbox, tongue-mounted | O | |

| Legend | |
|---------------|----------|
| Standard | S |
| Optional | O |



SEWER EQUIPMENT CO. of AMERICA

Revised 03/23

Contents are copyrighted by Sewer Equipment Company of America

Products subject to change without notification.

Actual projects may not be an exact match to product as shown.

800.323.1604
www.sewerequipment.com

